

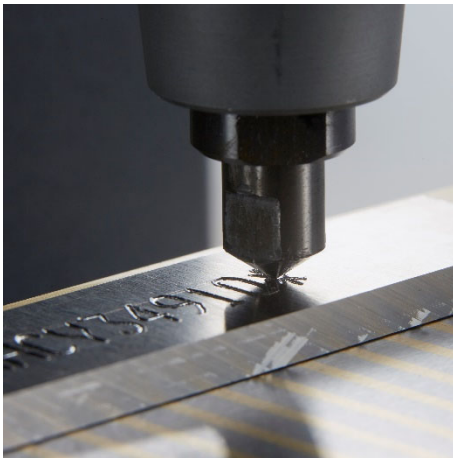
InScribe

Marking Windows
60mm x 60mm
150mm x 150mm

Scribe equivalent of InDot markers – allow scribe marking to be easily integrated into existing production lines/processes. Includes an option for the specialised VIN marking nosepiece, specifically for marking VINs into car chassis.

A wide variety of marking areas caters for many different scribe marking applications. Suited to high volume production and identification.

Large range of integration and automation options, included touchscreen, panel mount controller with up to 32 outputs and 24 inputs, ethernet and Anybus connectivity.



STANDARD FEATURES

- 4000 Integrator Controller
- Pneumatically driven scribe marking
- Diamond-tipped or tungsten carbide-tipped nosepiece, 35mm long, 90° or 110° respectively
- Sturdy metal cover, ideal for harsh industrial environments
- 3m detachable head cable connecting marking head to 4000 controller
- 5 x 7, 7 x 9, Varidot, Angled, Arc, logos, Data Matrix, Serial numbers, Reverse marking, Variables, etc.

APPLICATIONS

- Production-line integration
- Vehicle Identification (VIN) Marking
- Logo marking
- Where clarity and legibility are required
- Where low-noise technologies are required

OPTIONAL VERSIONS

Benefits / Requirements

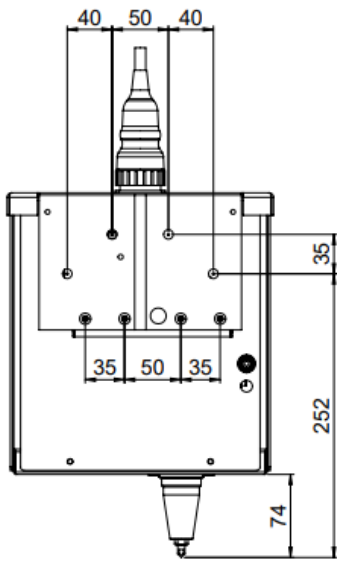
Option code

Benchtop 4000 controller	Standard benchtop 4000 controller supplied instead of Panel Mount	MCYISxxxxE
PC-based software control	Drag and drop editor, user admin rights, connectivity	MCYISxxxxU
Alternate nosepiece/stylus	Diamond-tipped or tungsten carbide-tipped	-
Integrated camera	Verification of mark quality; requires PC and software Automatic alignment of mark against existing features	OPTVISRS/VS OPTVISMS

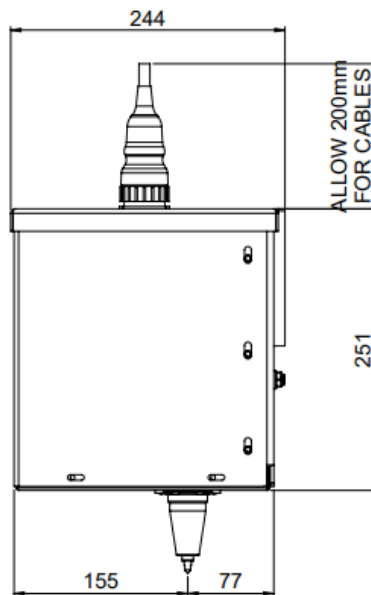
TECHNICAL DATA		● Standard ○ Optional	Product / Option Code
Marking area	60mm x 60mm 150mm x 150mm	● ○	MCYIS6060I MCYIS1515I
Weight	>6kg depending on size and options	●	-
Nosepiece & stylus	Scribe - 35mm long, 6.3mm diameter, 90° stylus tip, diamond-tipped or tungsten carbide	●	-
Controller	Controller 4000 Supply requirements 230V 50Hz / 110V 60Hz 6 bar (87psi) non-lubricated, dry	● ●	- -
Head cable length	3m 6m 10m Connectors to both marking head and controller. All cables fully interchangeable at any time. Note that marking power reduces with cable length.	● ○ ○	- cable06 cable10
Construction	Aluminium internals and cover	●	-
Operating temperature	0°C - 80°C (32°F - 176°F)	●	-
Workpiece hardness	Max. 62 HRC (800HV)	●	-
Marking type	Various fonts, HPGL, BMP Logos	●	-
Character sizes	0.15mm - 99.9mm in 0.15mm increments	●	-

InScribe 60-60 with light scribe nosepiece

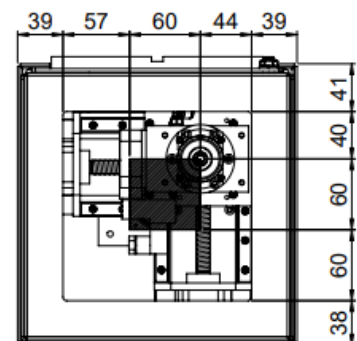
REAR VIEW



SIDE VIEW

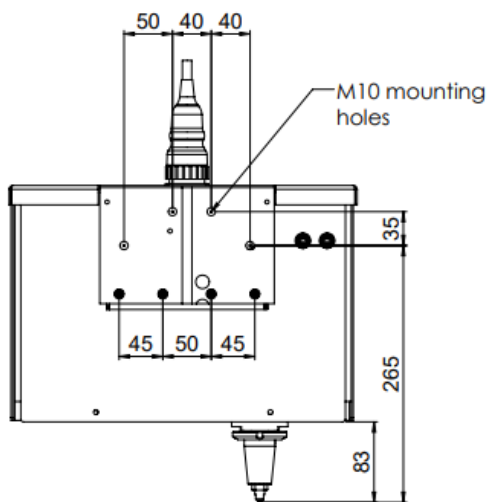


BOTTOM VIEW

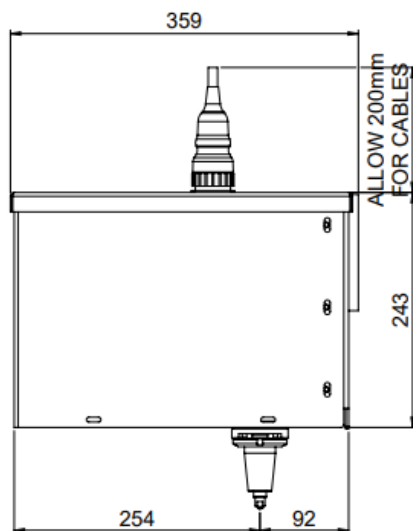


InScribe 150-150 with medium scribe nosepiece

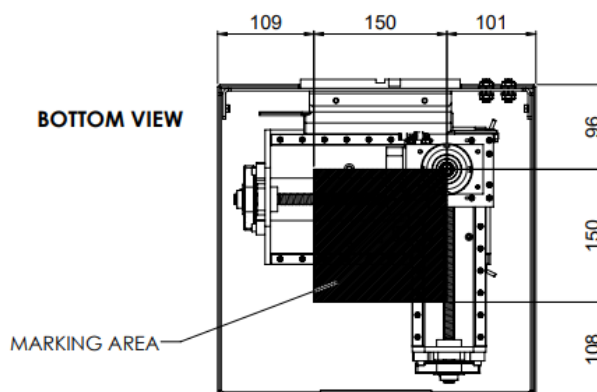
REAR VIEW



SIDE VIEW



BOTTOM VIEW



COMPATIBLE ACCESSORIES

Description

Product Code

Digital z-axis	100mm travel; InScribe 50-25, 130-30 and 60-60 only; requires z-axis control in 4000 controller (OPTCTAX01)	ACCIDZA100
Base and Column	For fixing InScribe marking heads in place for benchtop marking	ACCIDBC
Barcode Reader	Barcode scan to select correct programme or input marking data	VISBR001
Protective Boot	Protective boot to prevent ingress of dirt around stylus/solenoid	ACCISxxxxPB