

# InDot

Marking Windows  
 50mm x 25mm  
 60mm x 60mm  
 130mm x 30mm  
 150mm x 150mm  
 300mm x 150mm

Dot Peen marking heads for integration into production lines, custom designed marking stations or automated systems. Available in a variety of sizes and marking areas, the InDot range can be mounted in any orientation or fixture, including on robot arms or controlled axes.

Large range of integration and automation options, included touchscreen, panel mount controller with up to 32 outputs and 24 inputs, ethernet and Anybus connectivity.



## STANDARD FEATURES

- 4000 Integrator Controller
- Electromagnetic solenoid driven Dot Peen marking
- 90° stylus, 50mm or 100mm long, 4mm diameter, carbide tip
- 3m detachable head cable connecting marking head to 4000 controller
- Sturdy metal cover, ideal for harsh industrial environments
- 5 x 7, 7 x 9, Varidot, Angled, Arc, logos, Data Matrix, Serial numbers, Reverse marking, Variables, etc.

## APPLICATIONS

- Production line marking
- Multiple process cells including a marking process
- Large/heavy components
- Rail, oil and gas
- Compact workspaces
- Pipeline
- Casting / forging
- Chassis and engine VIN marking
- Construction applications

## OPTIONAL VERSIONS

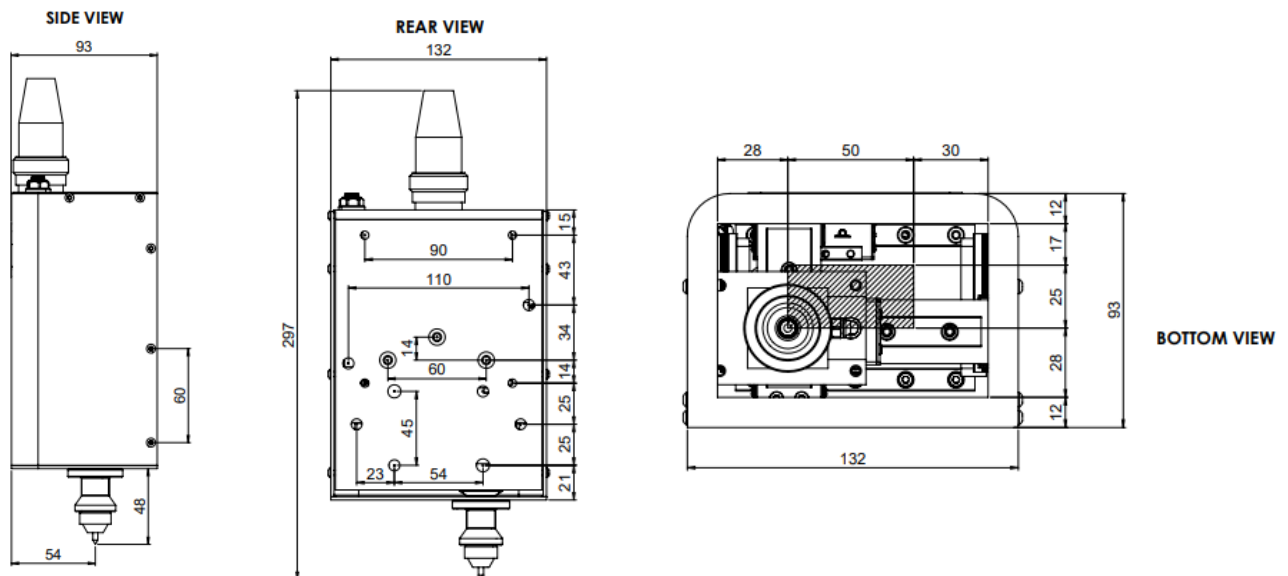
## Benefits / Requirements

## Option code

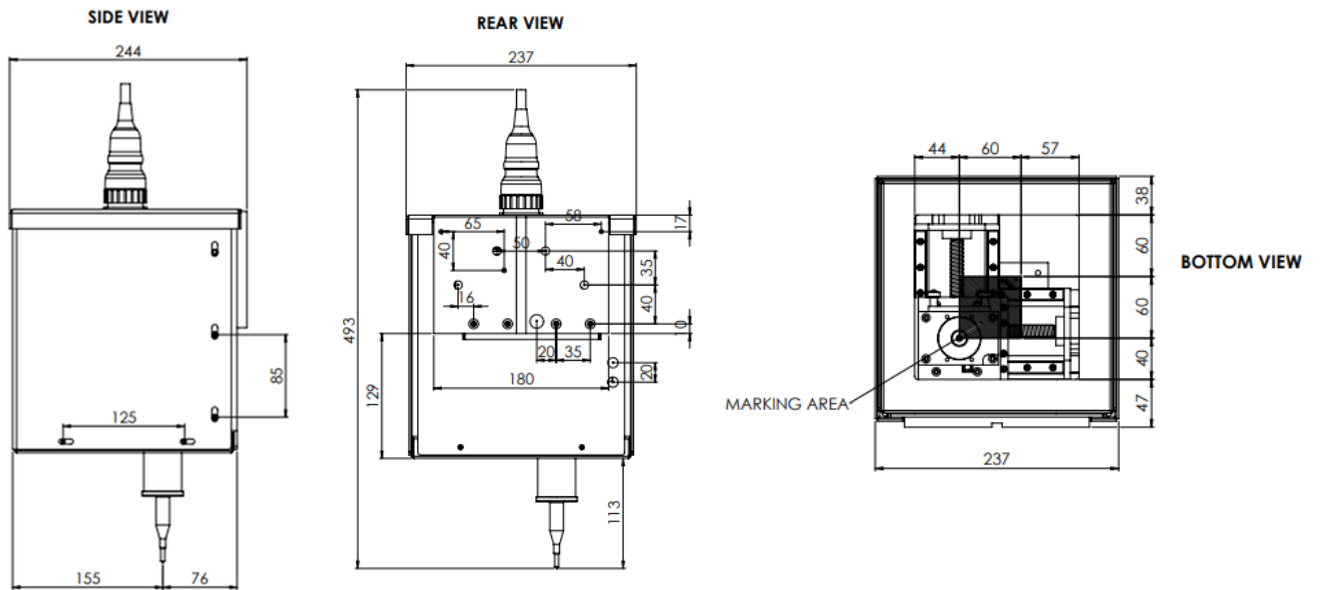
Benchtop 4000 controller	Standard benchtop 4000 controller supplied instead of Panel Mount	MCYIDxxxxE
PC-based software control	Drag and drop editor, user admin rights, connectivity	MCYIDxxxxU
Autosense on stylus axis	Output signal when stylus locates marking surface; InDot 50-25, 130-30 and 60-60 only	OPTIDAUTO
Pneumatic powered marking	Deeper marking. Requires compressed air supply	OPTIDxxxxD
90° head connector	Side mounted connector for tight packaging. InDot 50-25 only	OPTID5025HC
Alternate nosepiece/stylus	Wider / shallower tip angle, IAQG spec, longer	-
Integrated camera	Verification of mark quality; requires PC and software Automatic alignment of mark against existing features	OPTVISRS/V5 OPTVISMS

TECHNICAL DATA		● Standard ○ Optional	Product / Option Code
Marking area	50mm x 25mm 60mm x 60mm 130mm x 30mm 150mm x 150mm 300mm x 150mm	● ○ ○ ○ ○	MCYID5025I MCYID6060I MCYID1330I MCYID1515I MCYID3015I
Weight	>3kg depending on size and options	●	-
Dimensions	226mm (H) x 133mm (W) x 92mm (D) 351mm (H) x 237mm (W) x 244mm (D) 225mm (H) x 220mm (W) x 122mm (D) 344mm (H) x 359mm (W) x 359mm (D) 326mm (H) x 515mm (W) x 300mm (D)	● ○ ○ ○ ○	MCYID5025I MCYID6060I MCYID1330I MCYID1515I MCYID3015I
Nosepiece & stylus	Electric solenoid - 50mm long, 4mm diameter, 90° stylus tip, carbide Electric solenoid - 100mm long, 4mm diameter, 90° stylus tip, carbide Various alternatives available	● ○ ○	MCYID5025I MCYID1515I
Controller/supply requirements	<b>Controller</b> 4000 USB-PC <b>Supply requirements</b> 230V 50Hz / 110V 60Hz 230V 50Hz / 110V 60Hz	● ○	- -
Head cable length	3m 6m 10m Connectors to both marking head and controller. All cables fully interchangeable at any time. Note that marking power reduces with cable length.	● ○ ○	- OPTIDCB06 OPTIDCB10
Construction	Aluminium cover, metal internals	●	-
Operating temperature	0°C - 80°C (32°F - 176°F)	●	-
Workpiece hardness	Max. 62 HRC (800HV)	●	-
Marking type	5 x 7, 7 x 9, Varidot, Angled, Arc, logos, Data Matrix, Serial numbers, Reverse marking, Variables, etc.	●	-
Character sizes	0.18mm - 49.86mm in 0.18mm increments 0.15mm - 60mm in 0.15mm increments 0.09mm - 129.96 in 0.09mm increments 0.15mm - 150mm in 0.15mm increments 0.15mm - 300mm in 0.15mm increments	● ○ ○ ○ ○ ○	MCYID5025I MCYID6060I MCYID1330I MCYID1515I MCYID3015I

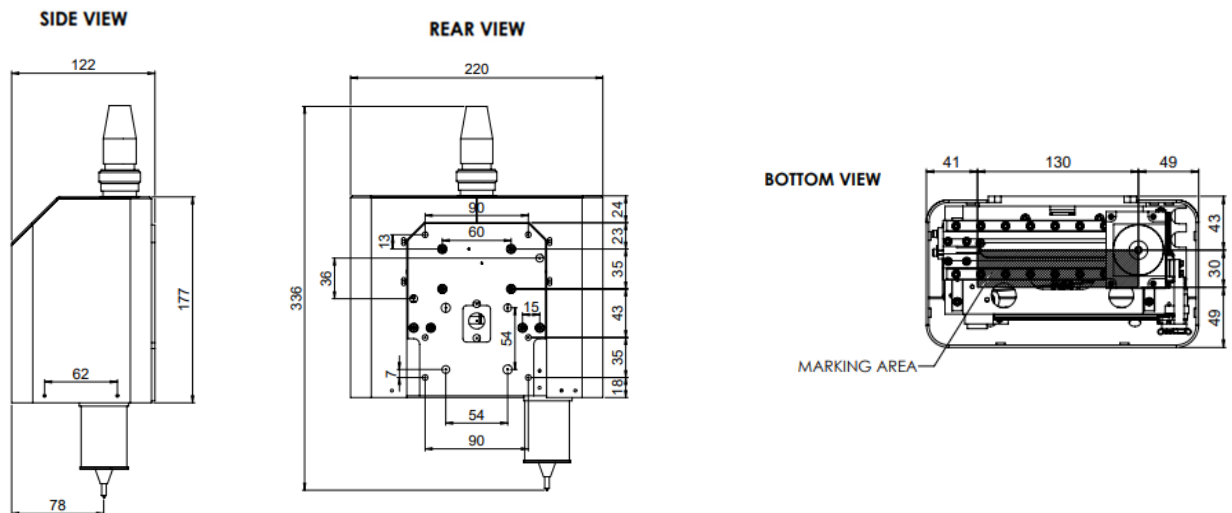
## InDot 50-25



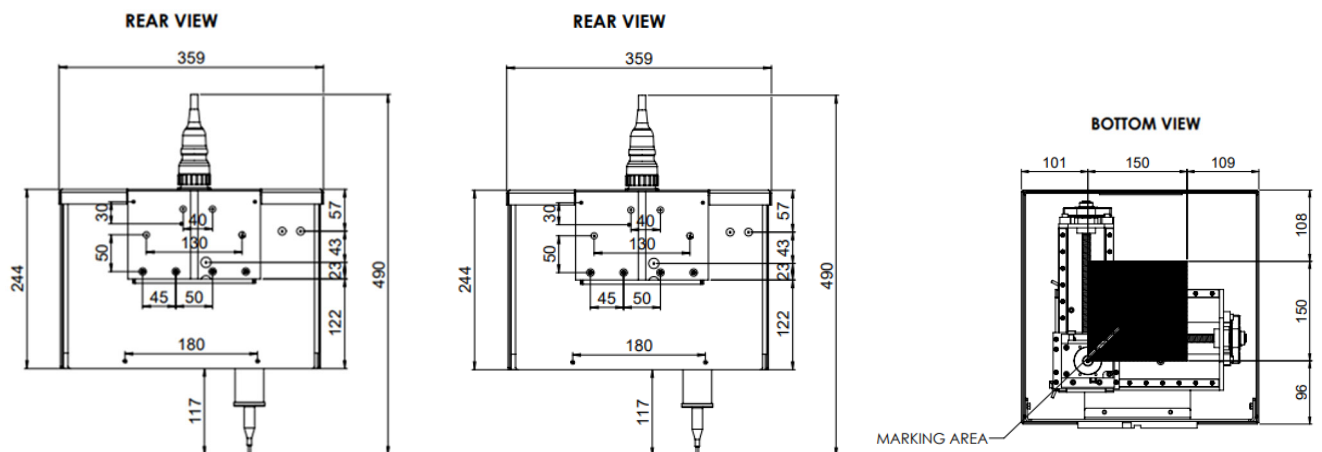
## InDot 60-60



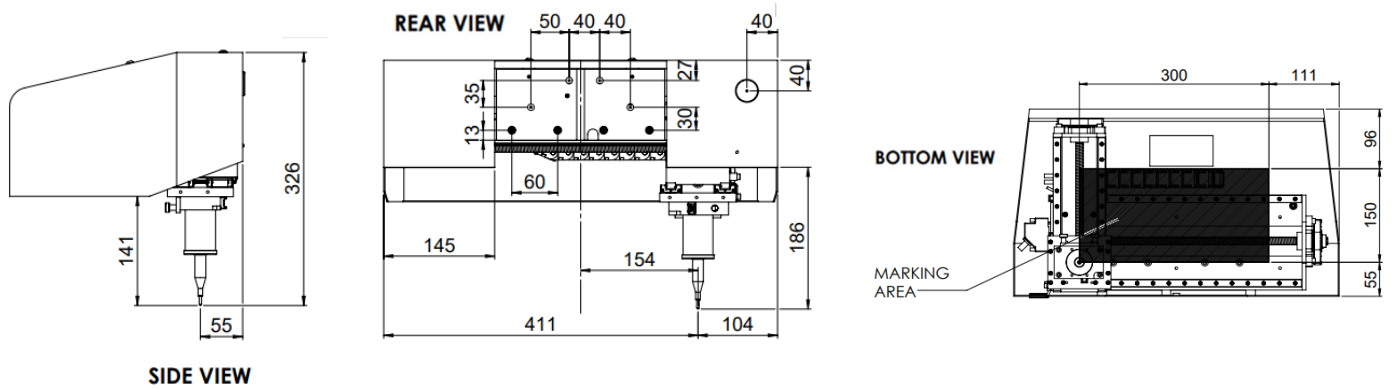
## InDot 130-30



## InDot 150-150



## InDot 300-150



All measurements in millimetres unless otherwise stated

COMPATIBLE ACCESSORIES	Description	Product Code
Digital z-axis	100mm travel; InDot 50-25, 130-30 and 60-60 only; requires z-axis control in 4000 controller (OPTCTAX01)	ACCIDZA100
Autosense on stylus axis	Output signal when stylus locates marking surface	ACCIDAUTO
Base and Column	For fixing InDot marking heads in place for benchtop marking	ACCIDBC
Protective Boot	Protective boot to prevent ingress of dirt around stylus/solenoid	ACCIDxxxxPB